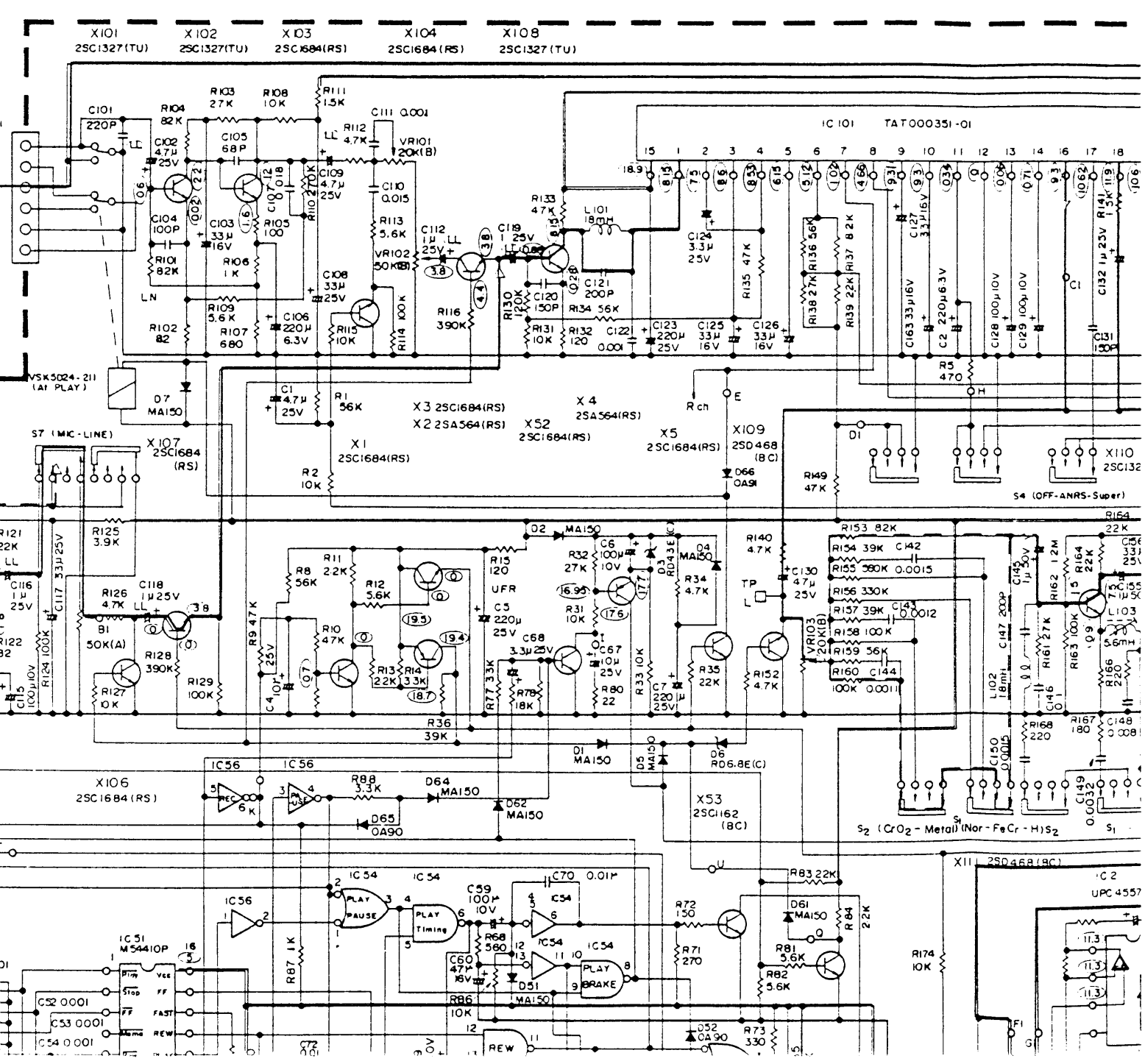




C D E F G

5	6	7	8	9	10	11	12	13	14	15	16	17	18	19	20	21	22	23	24
6.02	5.19	1.04	4.72	9.19	9.17	0.35	0	0.06	0.71	18.75	9.21	10.52	9.24	10.55	11.79	11.8	11.81	11.8	16.5

	1	2	3	4	5	6	7	8	9	10	11	12
IC1	11.26	11.29	11.26	0	11.26	11.27	11.29	22.6				
IC2	11.4	11.35	10.9	0	10.8	11.3	11.51	22.6				
IC51	PLAY	STOP	FF		REW	PAUSE	REC		REC	REC	PAUSE	PLAY
	L	L	L	H	L	L	L	0	L	H	H	H
IC52	REW	FF, PLAY	FF, REW	PLAY or	PLAY or	PLAY or						
	L	L	PLAY or	PAUSE	PAUSE	PAUSE						
			PAUSE	H	H	H	0	—	—	—	—	—

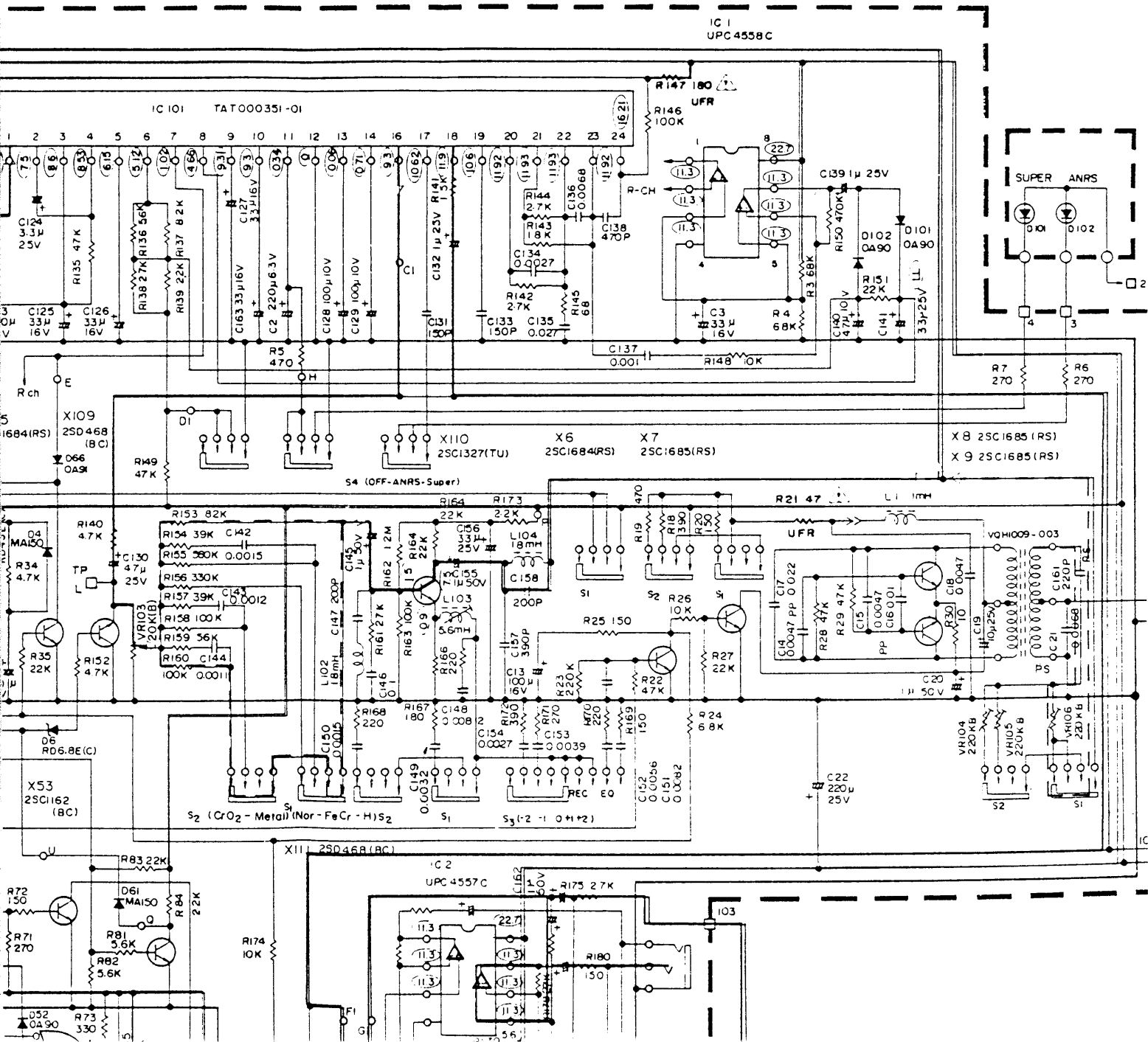


F G H I J K

22	23	24
11.81	11.8	16.5

5	6	7	8	9	10	11	12	13	14	15	16
26	11.27	11.29	22.6								
9.8	11.3	11.51	22.6								
REW	PAUSE	REC		REC PROOF ON	REC	PAUSE	PLAY	REW	FF or REW	FF	
L	L	L	O	L	H	H	H	H	H	H	5V
Y or USE	PLAY or PAUSE										

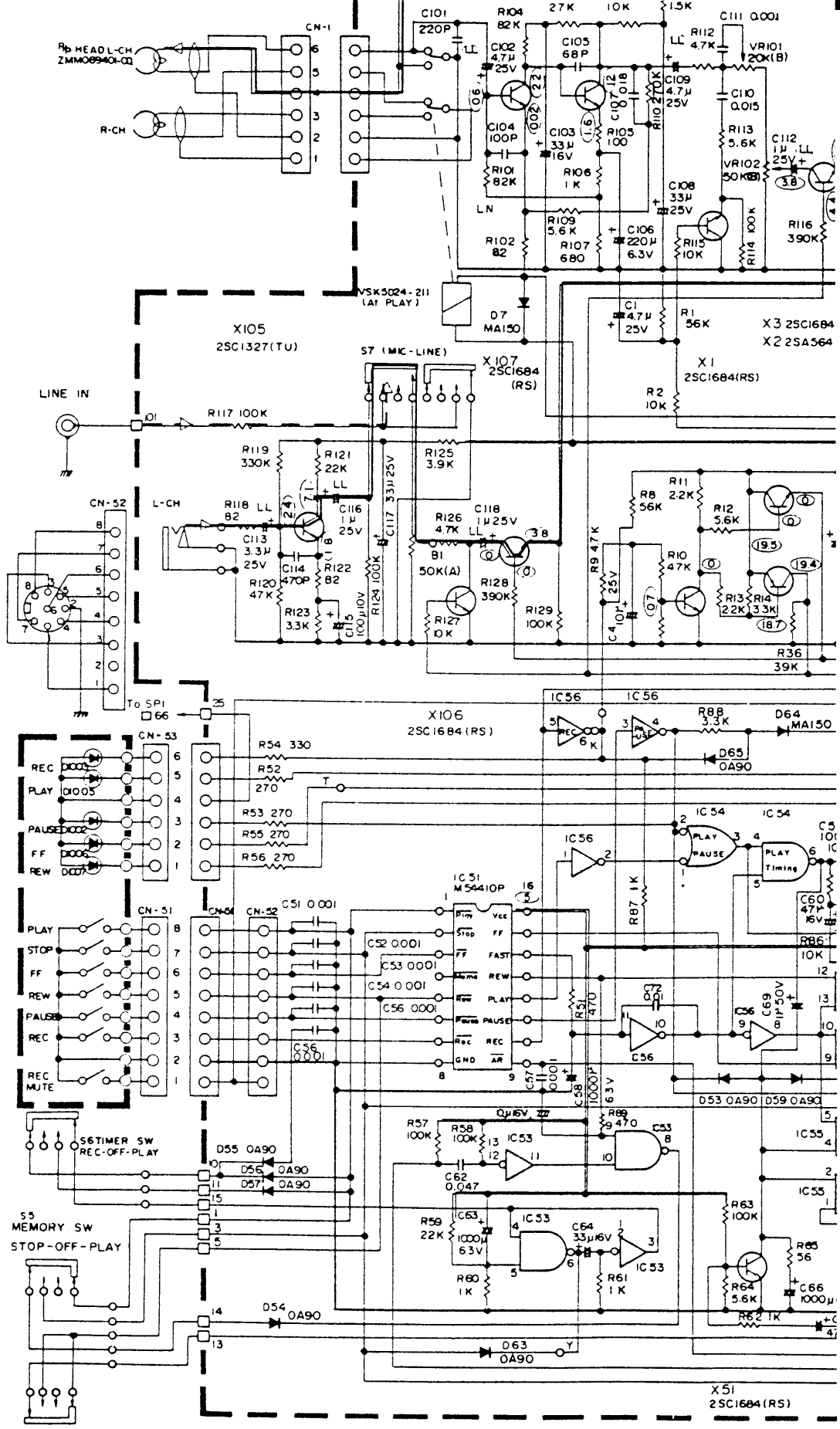
	1	2	3	4
	POWER ON			
IC53				
IC54	PLAY L	PAUSE L	PLAY or PAUSE H	PLAY or PAUSE H
IC55	PLAY or PAUSE H	TAPE END H	PLAY TAPE END L	TAPE END H
IC56	PLAY H	PLAY L	PAUSE H	PAUSE L

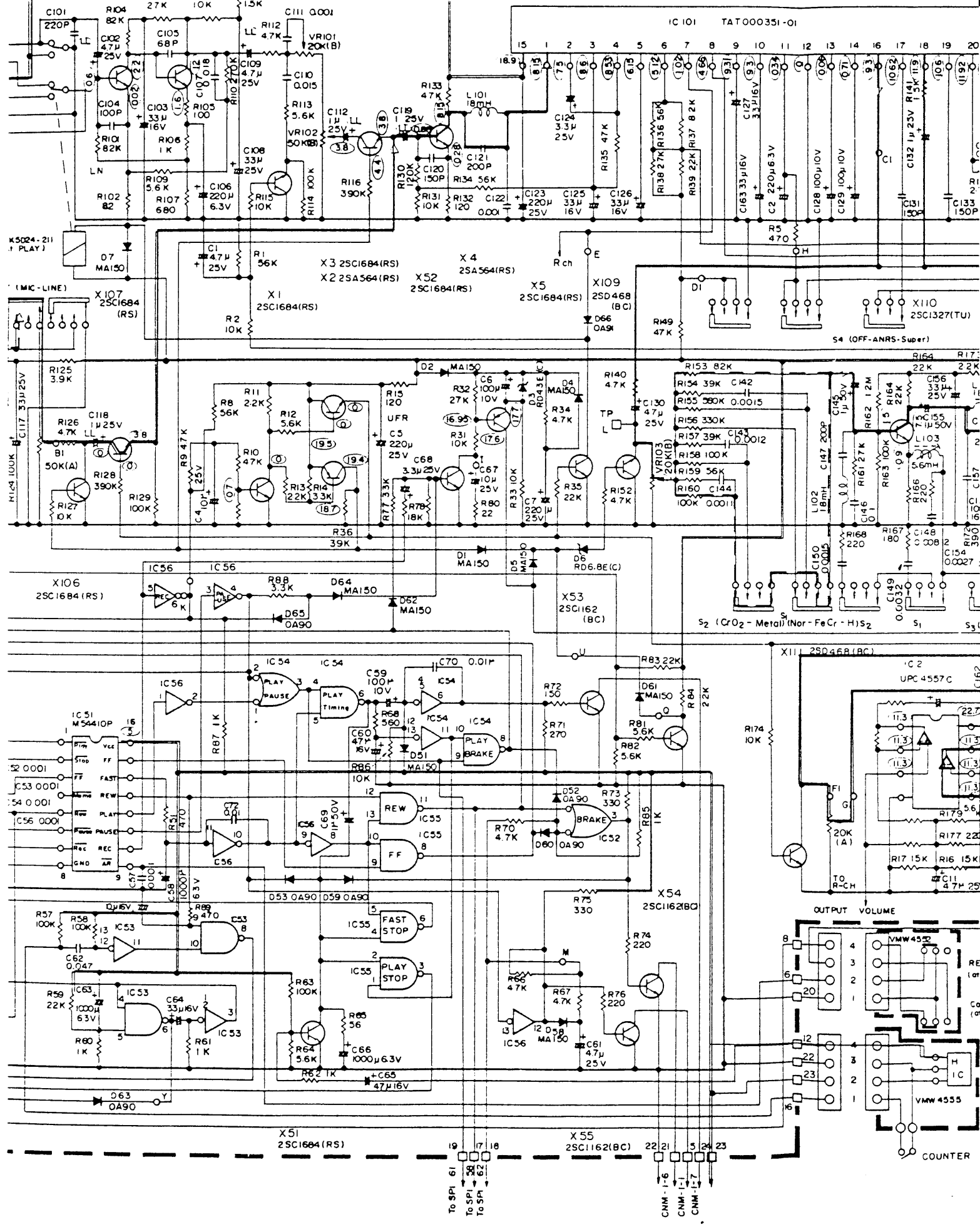


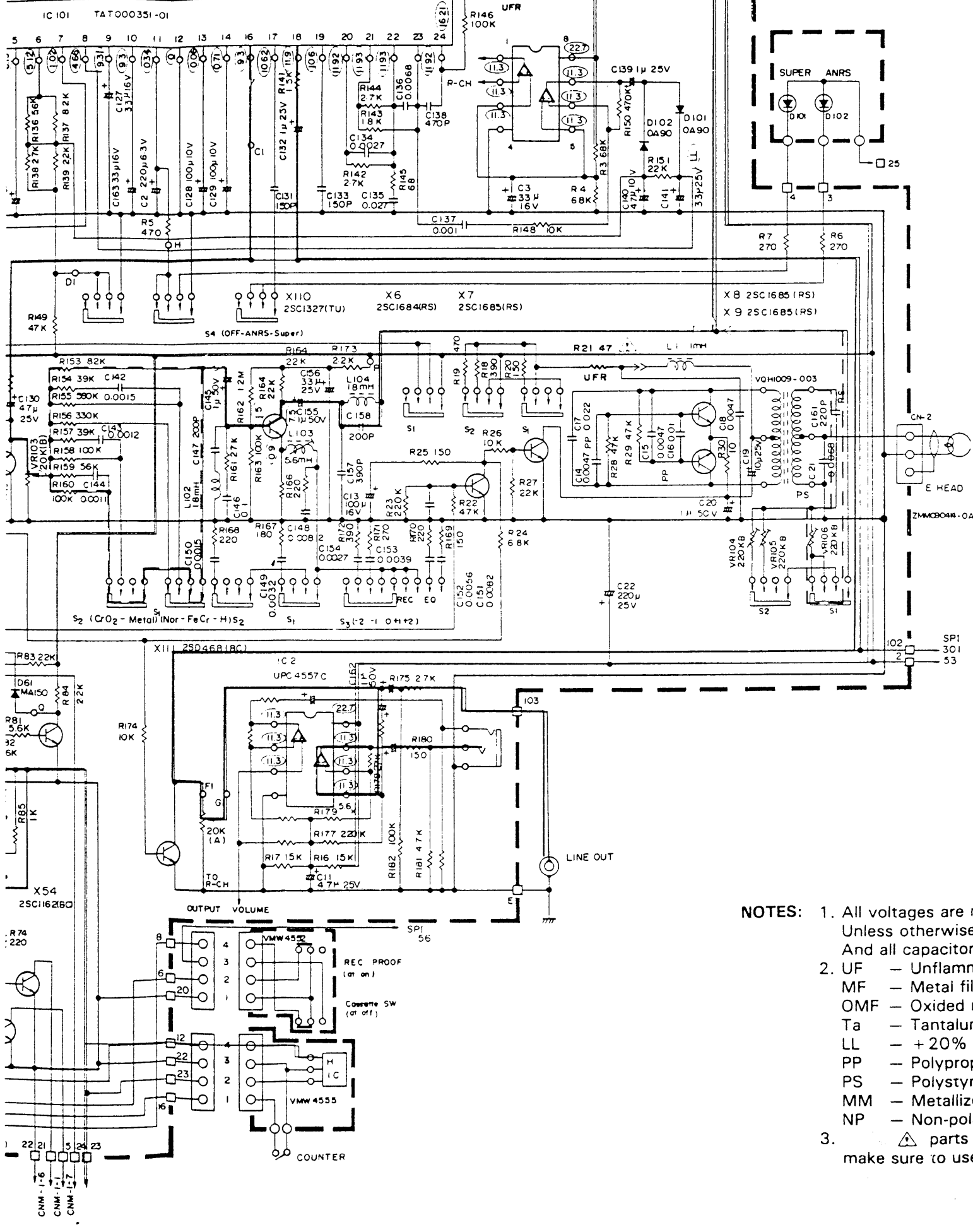


For Service Manuals  
**MAURITRON SERVICES**  
 8 Cherry Tree Road, Chimbor  
 Oxfordshire, OX9 4QY.  
 Tel (01844) 351694  
 Fax (01844) 352554  
 email:- sales@maurtron.co.uk

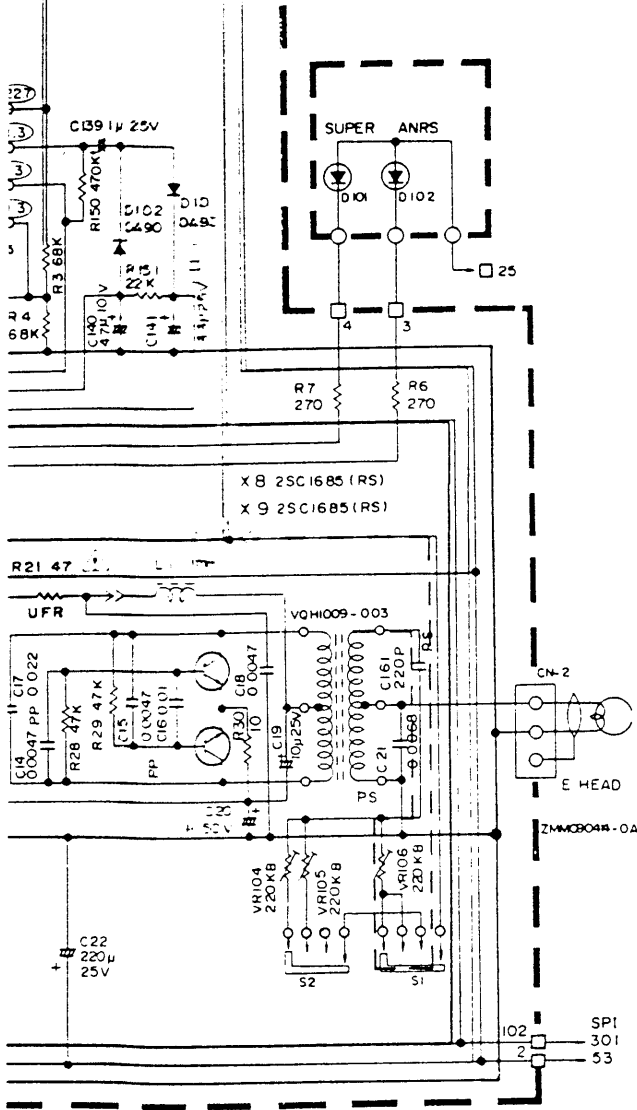
3  
4  
5  
6  
7  
8  
9  
10



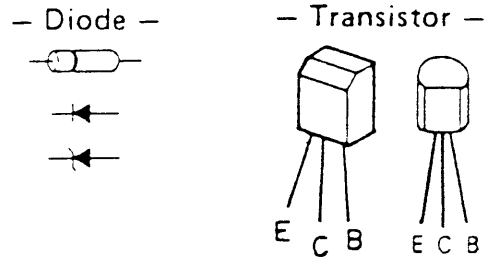




- NOTES:**
1. All voltages are m...  
Unless otherwise :  
And all capacitors
  2. UF — Unflamma...  
MF — Metal film...  
OMF — Oxided m...  
Ta — Tantalum...  
LL — + 20% lo...  
PP — Polystyre...  
PS — Polystyre...  
MM — Metallizec...  
NP — Non-polar...
  3. parts ar...  
make sure to use



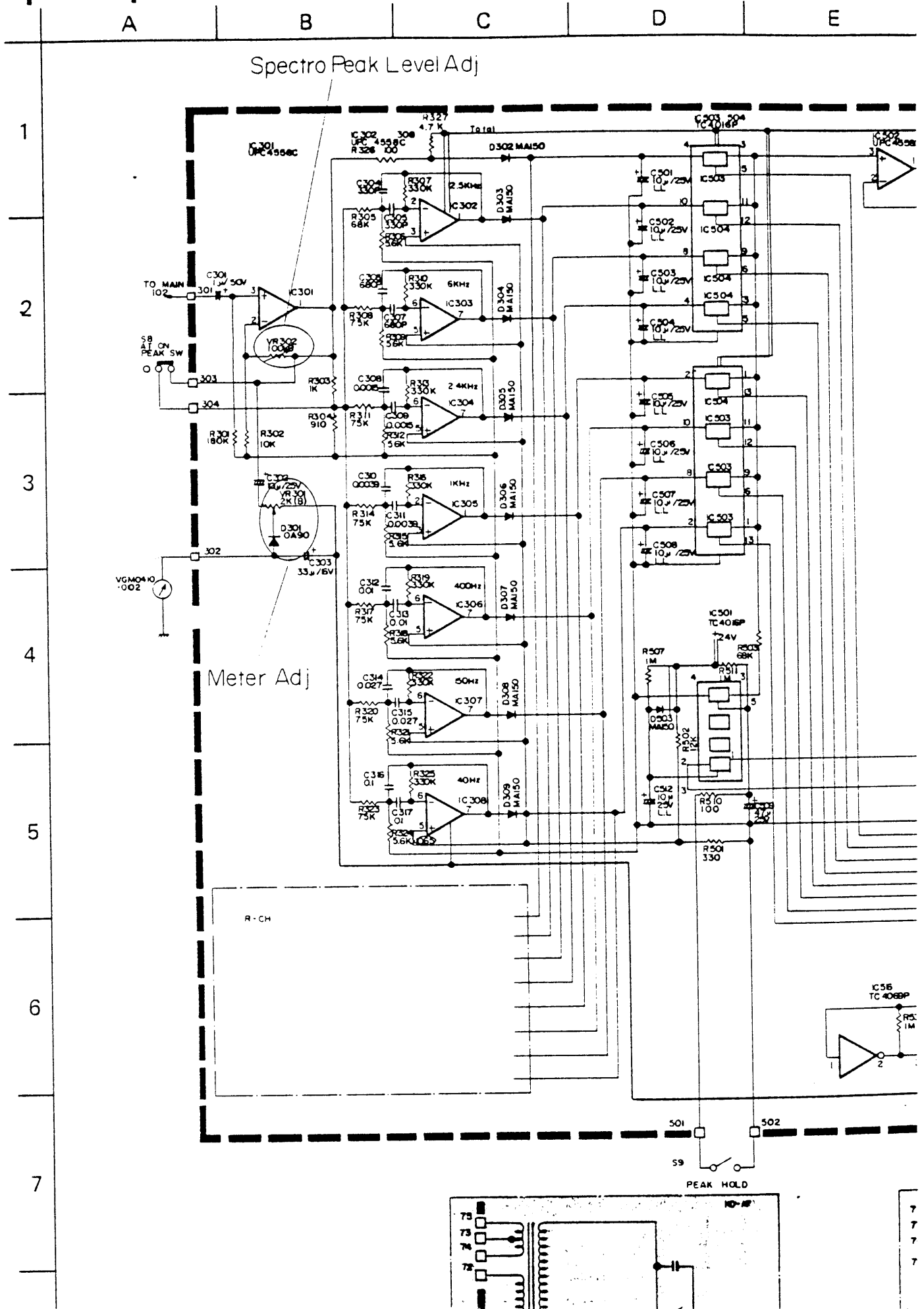
X103,203				NORM Other	0 0.6	
X104,204	3.8		Except REC 3.8		Except REC 4.4	
X105,205	1.87		823		2.45	
X106,206	—		—	REC Other	0 0.6	
X107,207	3.8	REC	3.8	REC	4.4	
X108,208	0.27		8		0.87	
X109,209	0		0	REC or REC MUTE	0.6	
X110,210	0.95		7.5		1.5	
X111,211	0		—	PLAY or REC Other	0.6 0	
X1	0	REC Other	19.8 0.1	REC Other	0.2 0.7	
X2	20.2	REC Other	0 19.3	REC Other	20 18.6	
X3	REC Other	19 0	20	REC Other	19.6 0	
X4	18.3	PLAY or REC Other	0 18.3	PLAY or REC Other	17.7 21.9	
X5	0	REC Other	0 1.04	REC Other	0.6 0	
X6	0	REC Other	11 0	REC MUTE Other	0.6 0	
X7	0	REC Other	0 22	REC Other	0.6 0	
X9	REC Other	0.07 22.1	REC Other	19.9 22.5	REC Other	1.2 22.4
X51	0		TAPE END H		0.6	
X52	0		PLAY or REC H		PLAY or REC 0	
X53	0		PLAY or PAUSE 		PLAY or PAUSE 	
X54	0	PAUSE Other	L H	PAUSE Other	0.6 0	
X55	0	PAUSE	0	PAUSE	0.6	
X56	0	REC MUTE Other	20 0	REC MUTE Other	0 0.6	



- LINE OUT
- NOTES: 1. All voltages are measured by Electronic Voltmeter. Unless otherwise specified, all resistors are 1/4W, ± 5% carbon resistors. And all capacitors are 50V fixed ceramic capacitors or 50V mylar capacitors.
2. UF — Unflammable carbon resistor  
 MF — Metal film resistor  
 OMF — Oxidized metal film resistor  
 Ta — Tantalum solid electrolytic capacitor  
 LL — + 20% low leak current electrolytic capacitor  
 PP — Polypropylene capacitor  
 PS — Polystyrene capacitor  
 MM — Metallized mylar capacitor  
 NP — Non-polarized electrolytic capacitor
3. parts are safety assurance parts. When replacing those parts, make sure to use the specified one.



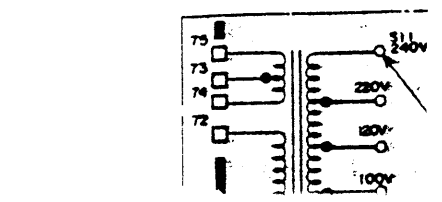
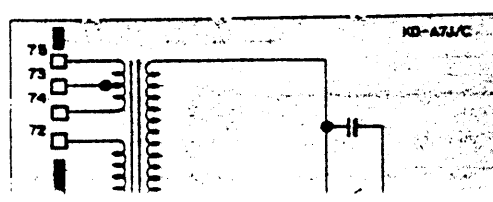
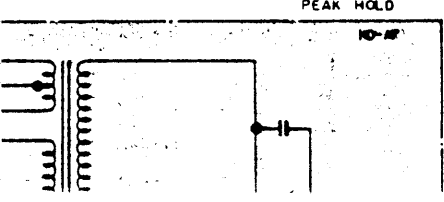
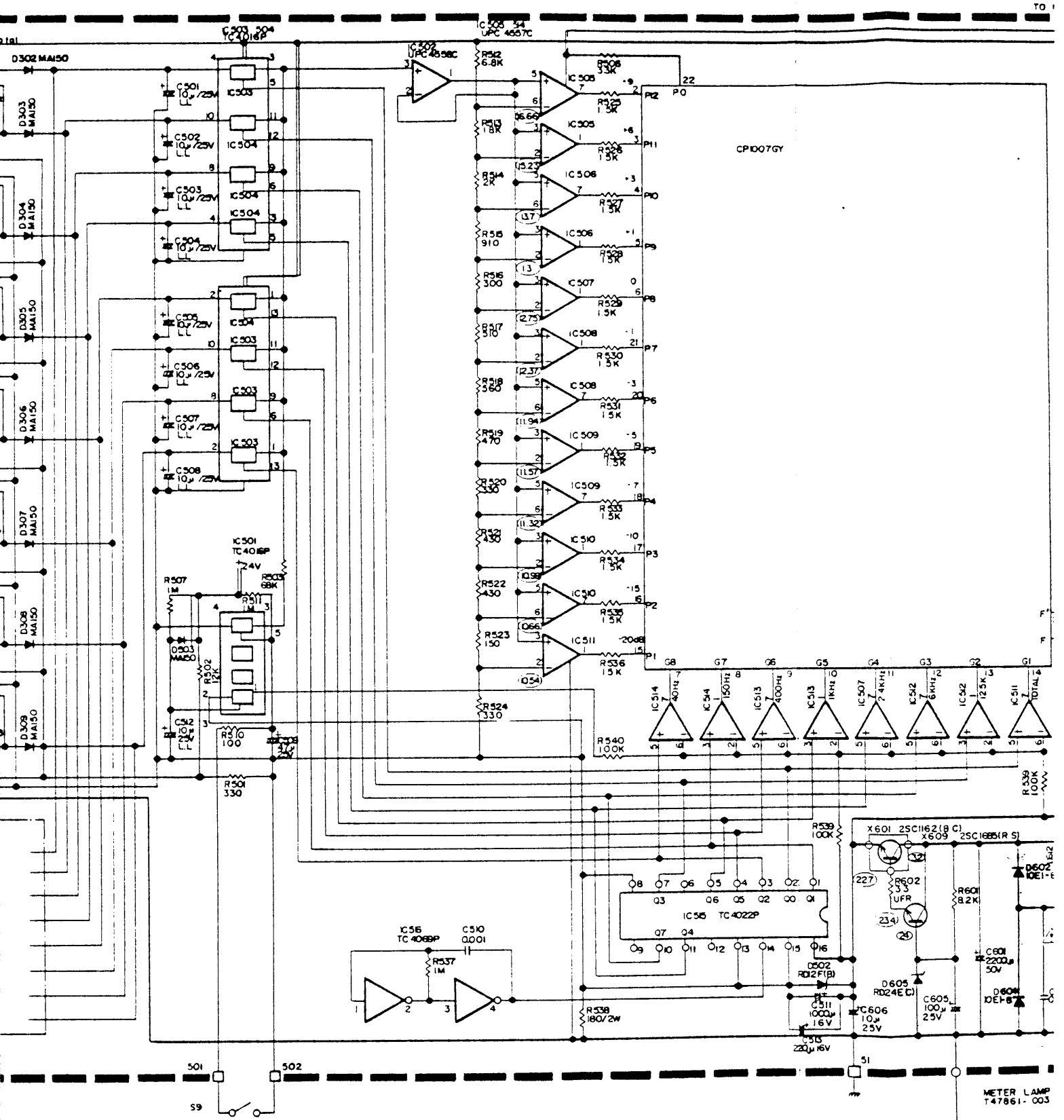
# Spectro-peak Level Circuit

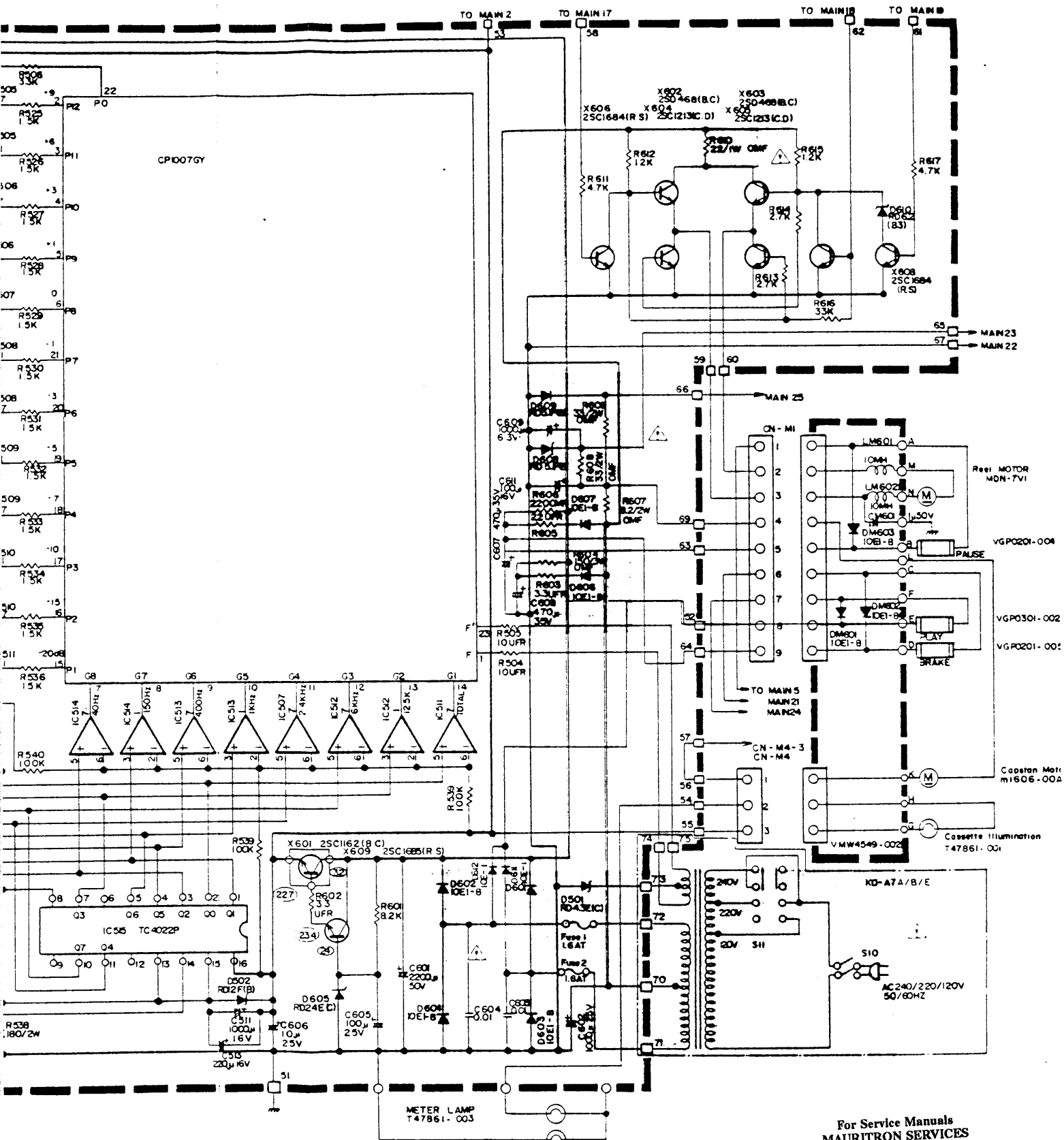


# KD-A7A/B/C/E/J/U

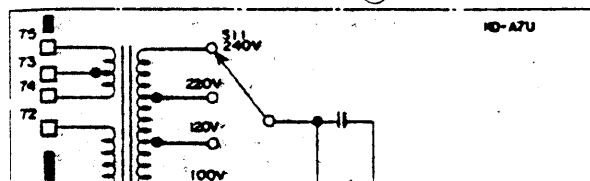
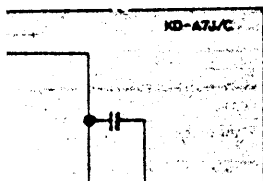
# KD-A7A/B/C/

C D E F G H





For Service Manuals  
**MAURITRON SERVICES**  
 8 Cherry Tree Road, Chinnor  
 Oxfordshire, OX9 4QY.  
 Tel (01844) 351694  
 Fax (01844) 352554  
 email:- sales@maurtron.co.uk

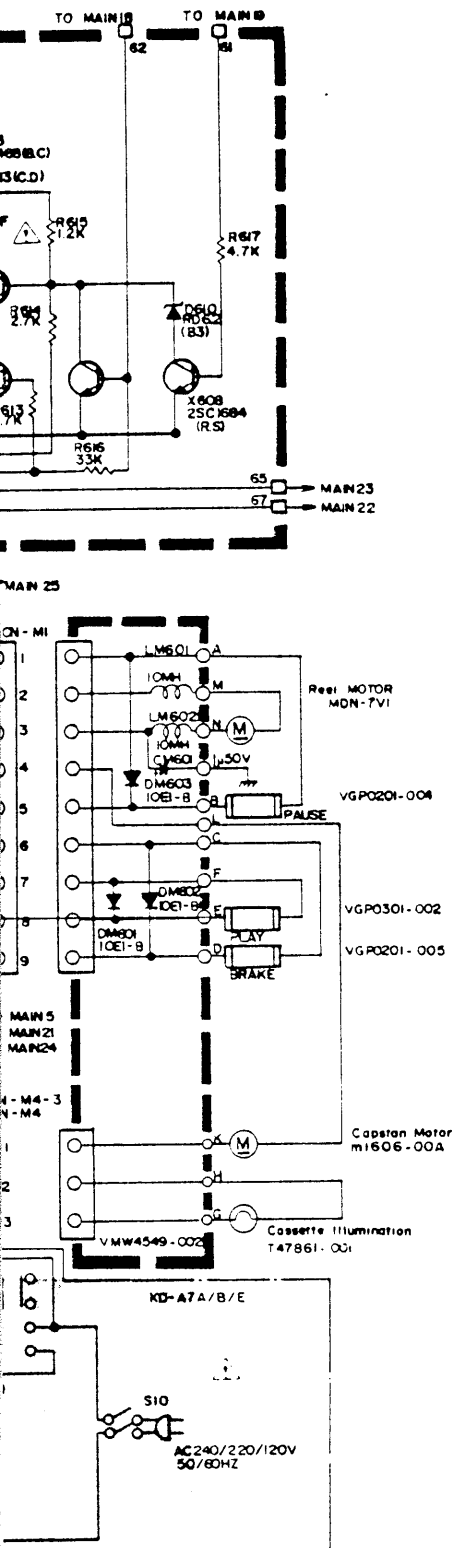


K

L

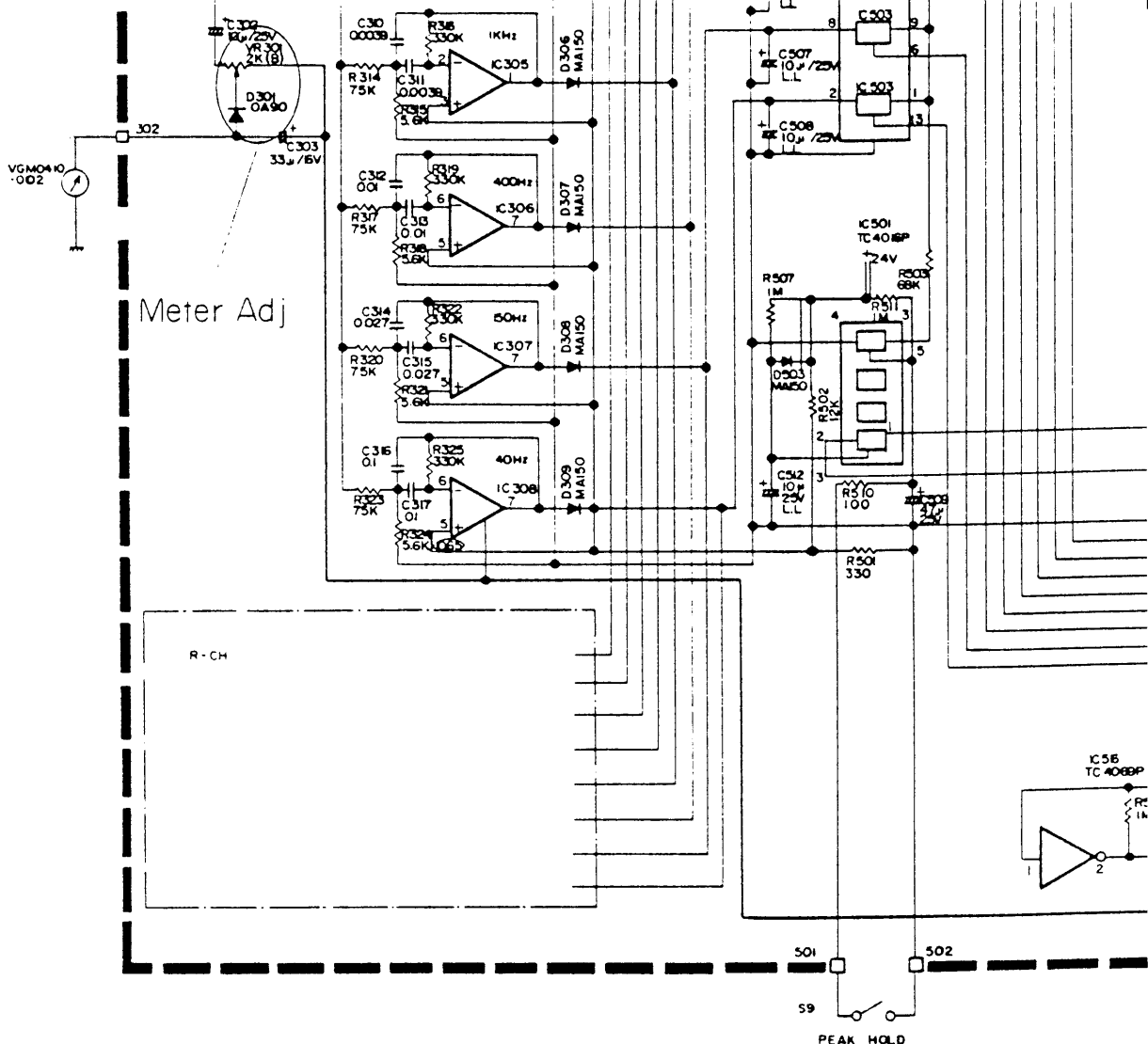
M

N

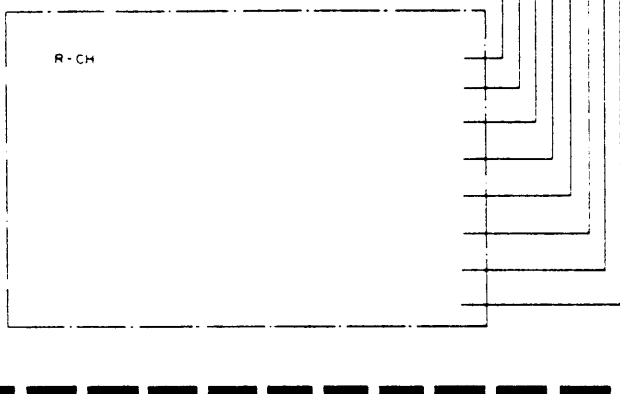


	E	C	B
X601	22.7	32.0	23.3
X602	STOP & REW 0 PLAY 5.8 FF 8.7	12.8	STOP & REW 0 PLAY 6.4 FF 9.3
X603	FF 8.6 PLAY & PAUSE 5.6 Other 0	12.0	FF 9.2 PLAY & PAUSE 6.3 Other 0
X604	0	REW 8.5 Other 0	FF, PLAY 0.7 Other 0
X605	0	FF 8.6 PLAY or PAUSE 5.6 Other 0	REW 0.75 Other 0
X606	0	0	0
X607	0	FF 9.2 PLAY 6.3 Other 0	REW, STOP or PAUSE 0.7 Other 0
X608	0	FF 4.5 Other 0	PLAY or PAUSE 0.6 Other 0
X609	23.4	32.0	24.0

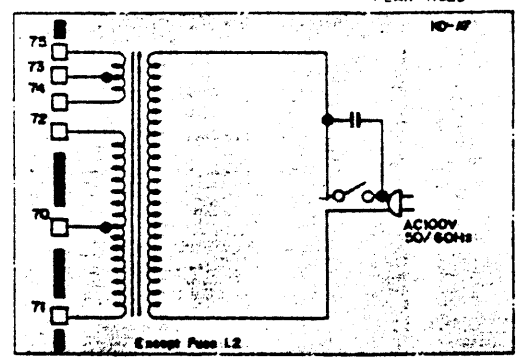
3  
4  
5  
6  
7  
8  
9  
10



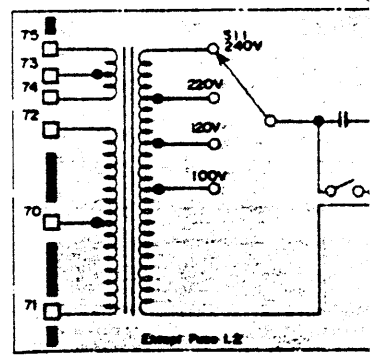
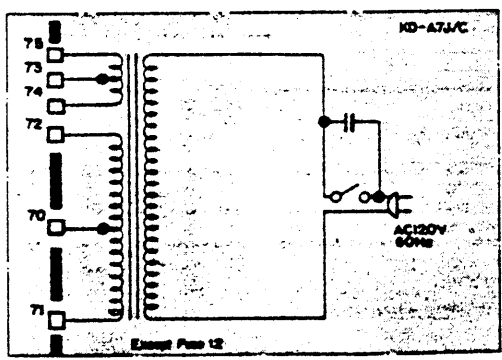
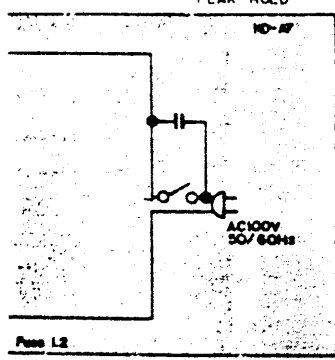
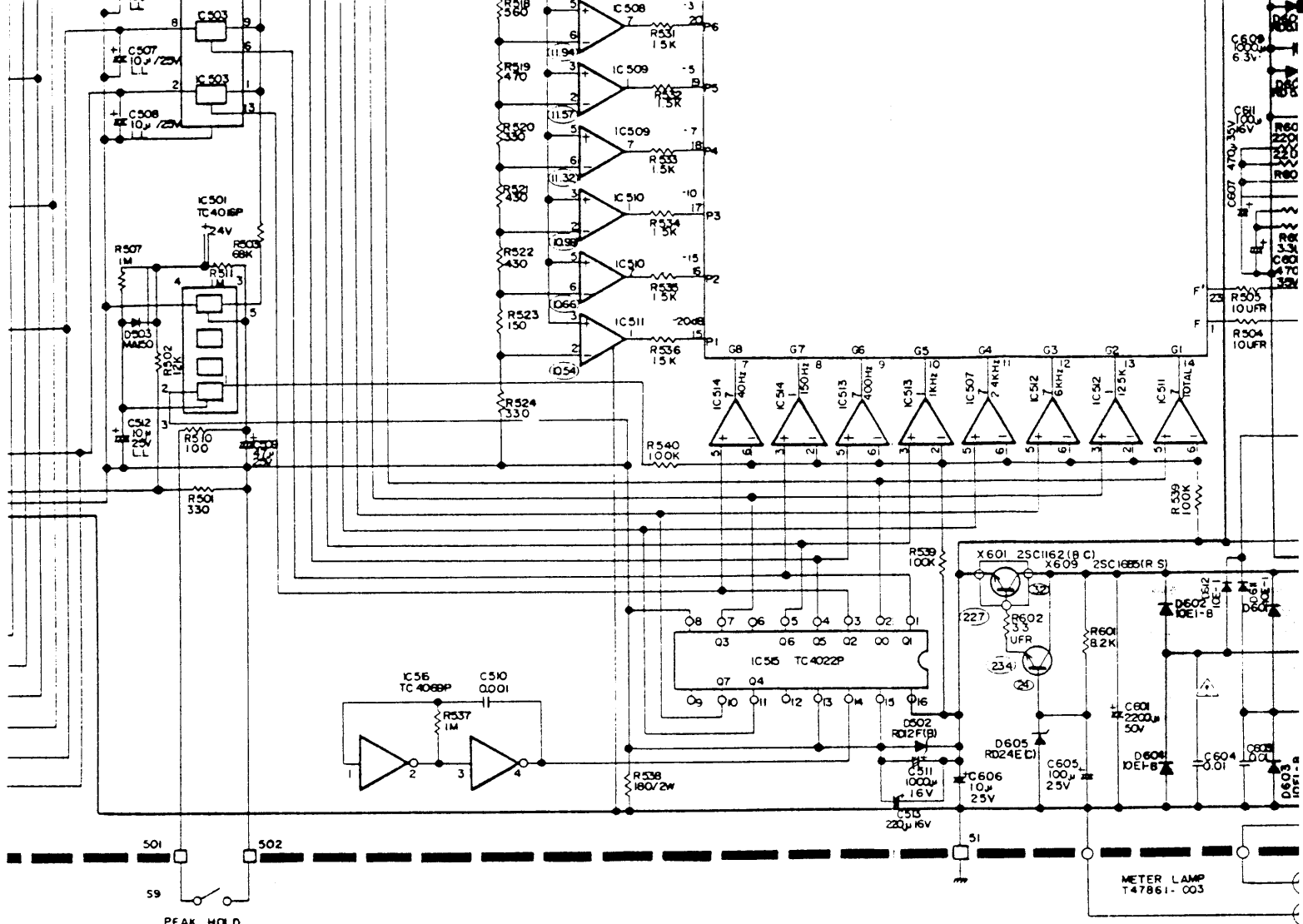
Meter Adj



For Service Manuals  
**MAURITRON SERVICES**  
 8 Cherry Tree Road, Chinnor  
 Oxfordshire, OX9 4QY.  
 Tel (01844) 351694  
 Fax (01844) 352554  
 email:- sales@mauritron.co.uk

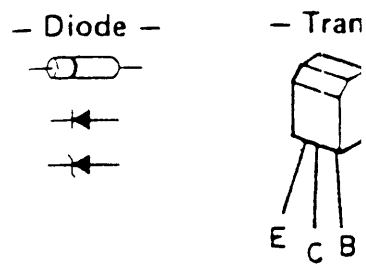


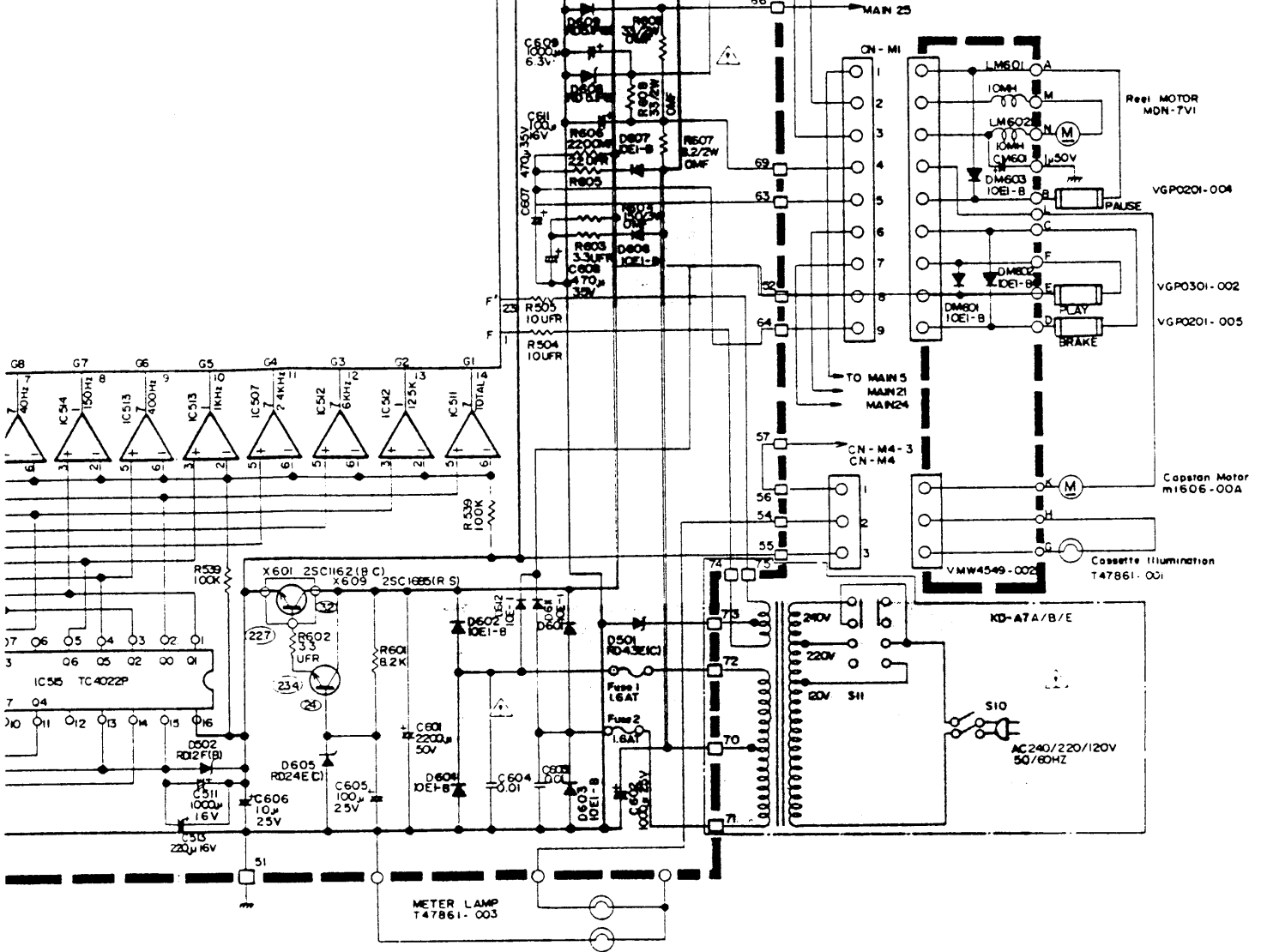
- NOTES:**
- All voltages are measured by Electronic Voltmeter.  
 Unless otherwise specified, all resistors are 1/4W, ± 5% carbon resistors  
 And all capacitors are 50V fixed ceramic capacitors or 50V mylar capacitors
  - UF — Unflamable carbon resistor  
 MF — Metal film resistor  
 OMF — Oxided metal film resistor  
 Ta — Tantalum solid electrolytic capacitor  
 LL — + 20% low leak current electrolytic capacitor
  - △ parts are safety assurance parts. When replacing those parts,



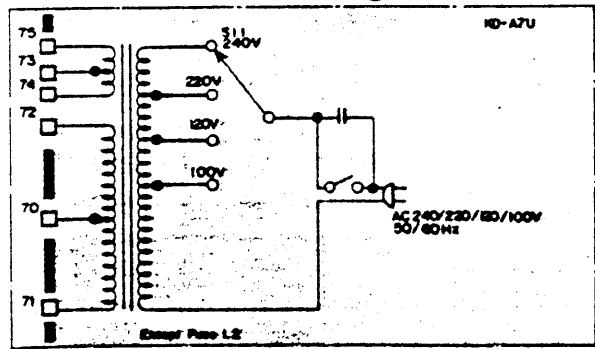
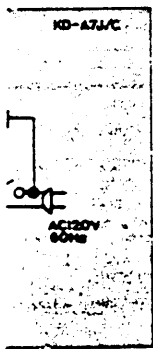
Electronic Voltmeter.  
 All resistors are 1/4W, ± 5% carbon resistors.  
 Fixed ceramic capacitors or 50V mylar capacitors.  
 Variable capacitor  
 Electrolytic capacitor  
 Non-polymeric capacitor  
 Non-polymeric electrolytic capacitor  
 Assurance parts. When replacing those parts, make sure to use the specified one.

PP — Polypropylene capacitor  
 PS — Polystyrene capacitor  
 MM — Metallized mylar capacitor  
 NP — Non-polarized electrolytic capacitor

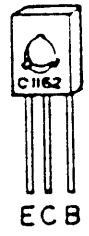
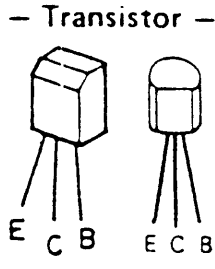
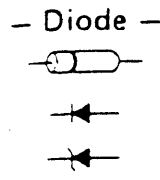


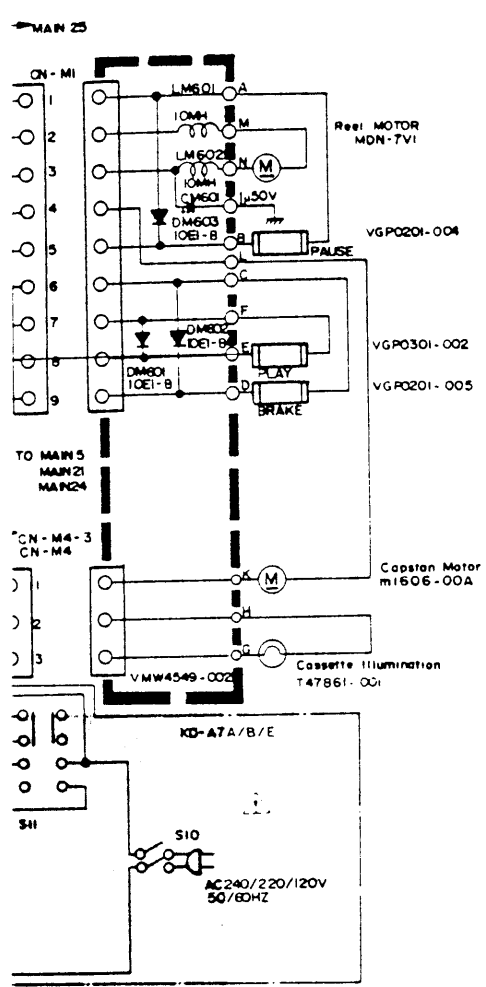


- X601
- X602
- X603
- X604
- X605
- X606
- X607
- X608
- X609



capacitor  
modified one.





X602	STOP & REW PLAY FF	0 5.8 8.7	12.8	STOP & REW PLAY FF	0 8.4 9.3
X603	FF PLAY & PAUSE Other	8.6 5.6 0	12.0	FF PLAY & PAUSE Other	9.2 6.3 0
X604			REW 8.5 Other 0	FF, PLAY Other 0	0.7 0
X605			FF 8.6 PLAY or PAUSE 5.6 Other 0	REW Other 0	0.75 0
X606			0	0	0
X607			FF 9.2 PLAY 6.3 Other 0	REW, STOP or PAUSE Other 0	0.7 0
X608			FF 4.5 Other 0	PLAY or PAUSE Other 0	0.6 0
X609		23.4	32.0		24.0

